

Edition 2005

To our business partners and customers,

We want to thank you for the tremendous success following the launch of **CHROME<sup>plus</sup>**. For this catalogue we have extended the existing programme of mirror polished socket sets and ratcheting wrenches. In addition you can find new set configurations and further innovative products.

This year **CHROME<sup>plus</sup>** catalogue boasts more than 150 pages following our philosophy of quality products with an aesthetic finish designed for the professional user.

Experience this comprehensive collection of tools and learn more about the exciting new line „Gentleman' s Tools“ and the new storage system „Black plus“!

*Eyecatcher for a perfect job!*







**SOCKETS, ACCESSORIES & SETS**

page 5-58



**GEAR *plus* PROGRAMME**

page 59-96



**SPANNERS**

page 97-110



**ERGOTORQUE *plus* SCREWDRIVERS**

page 111-118



**KEY WRENCHES**

page 119-124



**WORKSHOP FURNITURE AND SUPPLEMENTS**

page 125-143







## Explanation:



Finest Chrome Vanadium steel, mirror polished



**FlankTraction™** System, the perfect torque transmission applies completely to the flanks of screws or nuts



Precise manufactured referring to DIN, squaredrive refers to DIN 3120



Precise manufactured referring to ISO, squaredrive refers to ISO 1174



Plastic-case, extremely robust



Secure ratchet-handles with quick-release function



Ratcheting mechanism, precise function with 72 teeth, working angle 5° only



Double function rotation system, permits direct torque transmission and work in angle of 20°



Metal clip-rail



ABS plastic-case



## 1/4" CHROMEplus® Socket-set, 40-pc.

art.-nr. 918.0640

- 1 x Stubby ratchet handle 1/4" - 110 mm only
- 1 x Spinner handle 1/4": 150 mm
- 1 x Extension 1/4": 100 mm
- 1 x Universal joint 1/4"
- 1 x Bit-Adaptor for 1/4" bits
- 13 x Socket 1/4":
 

4 - 4,5 - 5 - 5,5 - 6 - 7 mm	○
8 - 9 - 10 - 11 - 12 - 13 - 14 mm	○
- 22 x Bit 1/4":
 

6 x Hexagon 3 - 4 - 5 - 6 - 7 - 8 mm	○
2 x PH 1 + 2	+
2 x PZ 1 + 2	+
7 x TORX® T10 - T15 - T20 - T25 - T27 - T30 - T40	*
5 x XZN® spline M4 - M5 - M6 - M8 - M10	○



## 1/4" CHROMEplus® Socket-set, 39-pc.

art.-nr. 918.0639

- 1 x Reversible ratchet handle 1/4"
- 1 x Spinner handle for sockets 1/4": 150 mm
- 3 x Extension 1/4": 50 mm / Wobble 100 + 150 mm
- 1 x Universal joint 1/4"
- 1 x Socket-Adaptor 1/4"
- 13 x Socket 1/4":
 

4 - 4,5 - 5 - 5,5 - 6 - 7 mm	○
8 - 9 - 10 - 11 - 12 - 13 - 14 mm	○
- 19 x Bit socket 1/4":
 

3 x Slotted 4 - 5,5 - 6,5 mm	●
2 x PH 1 + 2	+
2 x PZ 1 + 2	+
5 x Hexagon 3 - 4 - 5 - 6 - 8 mm	○
7 x TORX® T10 - T15 - T20 - T25 - T27 - T30 - T40	*



**1/4" CHROMEplus® Socket-set, extra deep, 13-pc.**

art.-nr. 918.0613

11 x Socket 1/4": 4 - 5 - 5,5 - 6 - 7 - 8 - 9 - 10 - 11 - 12 - 13 mm

1 x Extension 1/4" - 100 mm

1 x Stubby swivel ratchet handle 1/4":

- 180° flexible head

- Ergonomic dual composite grip



**1/4" CHROMEplus® Socket-set, extra deep, 10-pc.**

art.-nr. 918.0610

10 x Socket 1/4": 4 - 5 - 6 - 7 - 8 - 9 - 10 - 11 - 12 - 13 mm





inch sizes



## 1/4" CHROMEplus® Socket-set, 47-pc.

art.-nr. 918.0847


10 x Socket 1/4": 5/32" - 3/16" - 7/32" - 1/4" - 9/32"


10 x Socket 1/4", extra deep: 5/16" - 11/32" - 3/8" - 7/16" - 1/2"


10 x Socket 1/4", extra deep: 5/32" - 3/16" - 7/32" - 1/4" - 9/32"

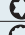
10 x Socket 1/4", extra deep: 5/16" - 11/32" - 3/8" - 7/16" - 1/2"

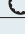
20 x Bit socket 1/4":

5 x Hexagon 1/8" - 5/32" - 3/16" - 7/32" - 1/4" 

3 x Slotted 4 - 5,5 - 7 mm 

2 x PH 1 - 2 

6 x TORX® T10 - T15 - T20 - T25 - T30 - T40 

4 x XZN® spline M4 -M5 -M6 -M8 

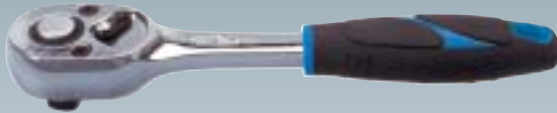
3 x Extension 1/4": 50 - 100 mm / Wobble 150 mm

1 x Sliding T-bar 1/4" - 110 mm

1 x Universal joint 1/4"

1 x Spinner handle for sockets 1/4"

1 x Stubby-reversible-ratchet handle 1/4"



**1/4" CHROMEplus® Stubby-reversible ratchet handle**

art.-nr. 918.1510

- Ergonomic dual composite grip
- 110 mm length



**1/4" CHROMEplus® Reversible ratchet handle**

art.-nr. 918.1490

- Ergonomic dual composite grip



**1/4" CHROMEplus® Swivel ratchet handle**

art.-nr. 918.1493

- Ergonomic dual composite grip
- 180° flexible head



**1/4" CHROMEplus® Reversible ratchet handle**

art.-nr. 918.1593



## 1/4" CHROMEplus® Wobble extensions

art.-nr.	Length
918.1403	50 mm
918.1401	100 mm
918.1402	150 mm
918.1458	250 mm



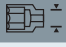

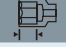

## 1/4" CHROMEplus® Extension-set, with wobble-system, 3-pc.

art.-nr. 918.0143
Length: 50 - 150 - 250 mm

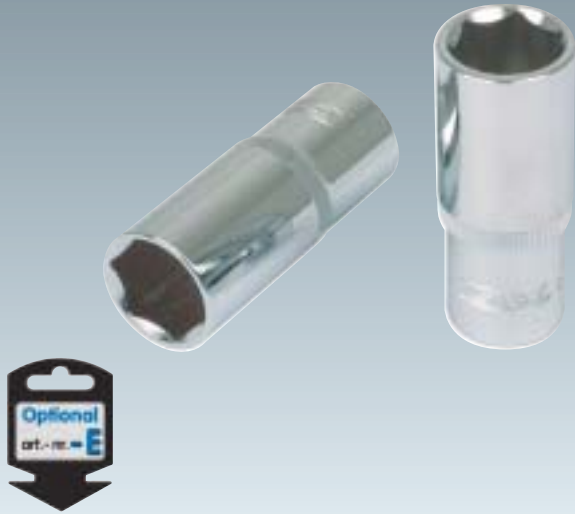
CrV DIN 3124 ISO 2725



**1/4" CHROMEplus® Sockets, knurled**

art.-nr.	mm				
918.14035	3,5	12	7	7	25
918.1404	4	12	7	7	25
918.14045	4,5	12	7,5	7	25
918.1405	5	12	7,8	9	25
918.14055	5,5	12	8,6	9	25
918.1406	6	12	9,5	9	25
918.1407	7	12	10,5	9	25
918.1408	8	12	11,5	9	25
918.1409	9	12	14	9	25
918.1410	10	12,4	14	9	25
918.1411	11	12,5	16	9	25
918.1412	12	13,4	17	9	25
918.1413	13	14	18	9	25
918.1414	14	14,5	20	9	25

CrV DIN 3124 ISO 2725



**1/4" CHROMEplus® Sockets, extra deep, knurled**

art.-nr.	mm				
918.1424	4	12	7	7	50
918.14245	4,5	12	7,5	10	50
918.1425	5	12	8	11	50
918.14255	5,5	12	8	11	50
918.1426	6	12	8,5	12	50
918.1427	7	12	10,6	12	50
918.1428	8	12	11,5	13	50
918.1429	9	12	14	13	50
918.1430	10	12,8	14	13	50
918.1431	11	14,3	16	13	50
918.1432	12	15,2	17	13	50
918.1433	13	16,2	18	14	50
918.1435	14	17,2	20	16	50

CrV DIN 3123 ISO 3315



**1/4" CHROMEplus® Spinner handle, with 1/4" squaredrive for use with ratchet**

Art.-Nr. 918.1434

Length 150 mm



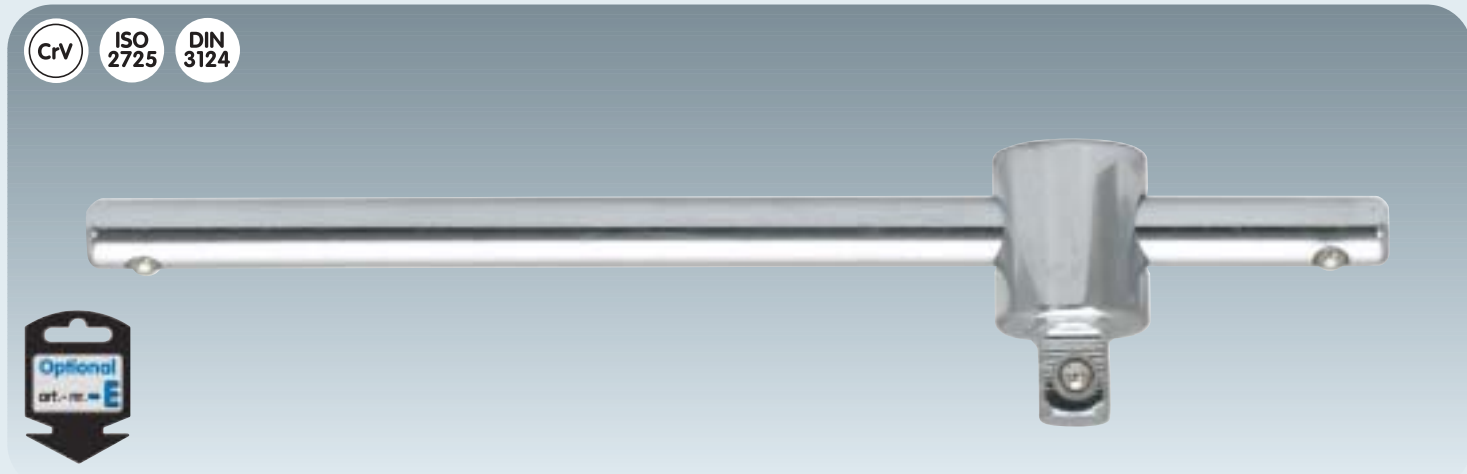
**1/4" CHROMEplus® Sockets, knurled**

art.-nr.	inch				
918.1511	5/32"	12	7,8	9	25
918.1512	3/16"	12	7,8	9	25
918.1513	7/32"	12	8,6	9	25
918.1514	1/4"	12	9,5	9	25
918.1515	9/32"	12	10,5	9	25
918.1516	5/16"	12	11,5	9	25
918.1517	11/32"	12	14	9	25
918.1518	3/8"	12,4	14	9	25
918.1519	7/16"	12,5	16	9	25
918.1520	1/2"	14	18	9	25



**1/4" CHROMEplus® Sockets, extra deep, knurled**

art.-nr.	inch				
918.1521	5/32"	12	8	7	50
918.1522	3/16"	12	8	7	50
918.1523	7/32"	12	8,6	10	50
918.1524	1/4"	12	9,5	11	50
918.1525	9/32"	12	10,6	12	50
918.1526	5/16"	12	11,5	12	50
918.1527	11/32"	12	14	13	50
918.1528	3/8"	12,8	14	13	50
918.1529	7/16"	14,3	16	13	50
918.1530	1/2"	16,2	18	14	50



**1/4" CHROMEplus® Sliding T-bar**

art.-nr. 918.1451  
Length 110 mm

CrV DIN 3123 Form C ISO 3315



**1/4" CHROMEplus® Universal joint**

art.-nr. 918.1450

- Screwed version

CrV ISO 2725 DIN 3124



**1/4" CHROMEplus® Bit-Adaptor-Sockets for 1/4" bits**

art.-nr.

918.1421 without C-ring

918.1422 with C-ring

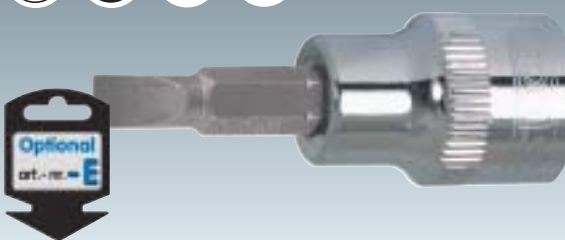
CrV ISO 3315 DIN 3123



**1/4" CHROMEplus® Adaptor 1/4" F x 3/8" M**

art.-nr. 918.1449

CrV ISO 2725 DIN 3124



**CHROMEplus® Slotted bit sockets**

1/4"

art.-nr.	size
918.1487	4,0 mm
918.1488	5,5 mm
918.1489	6,5 mm
918.1491	7,0 mm

CrV ISO 2725 DIN 3124



**1/4" CHROMEplus® PHILLIPS® bit sockets**

art.-nr.	size
918.1468	PH 1
918.1469	PH 2
918.1436	PH 3

CrV ISO 2725 DIN 3124



**1/4" CHROMEplus® POZIDRIV® bit sockets**

art.-nr.	size
918.1477	PZ 1
918.1478	PZ 2
918.1437	PZ 3



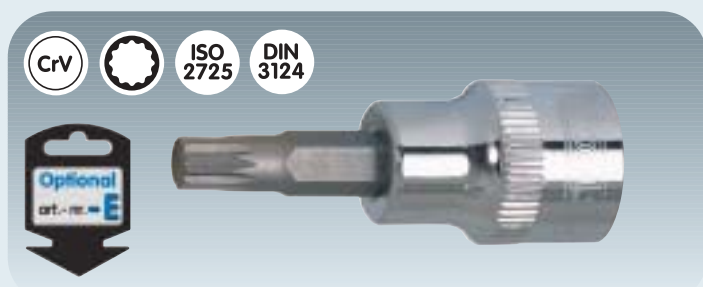
## 1/4" CHROMEplus® Hexagon bit sockets

art.-nr.	size
918.1461	3 mm
918.1462	4 mm
918.1463	5 mm
918.1464	6 mm
918.1465	7 mm
918.1466	8 mm



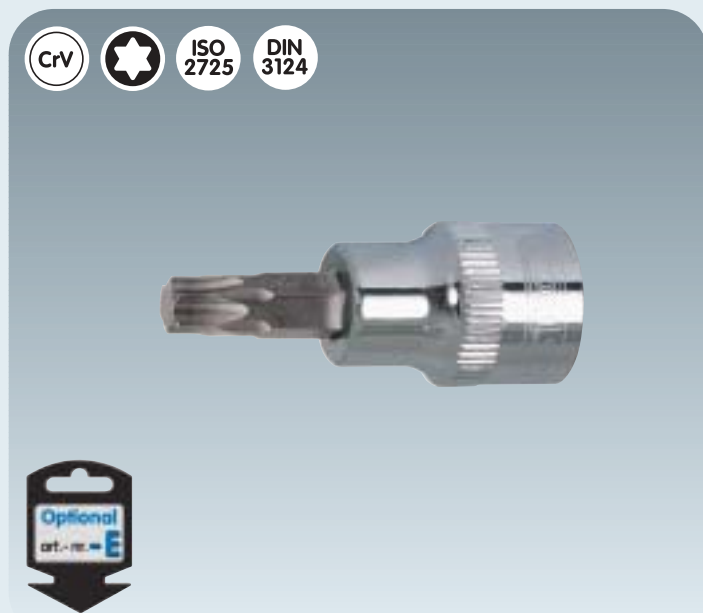
## 1/4" CHROMEplus® Hexagon bit sockets

art.-nr.	size
918.1531	1/8"
918.1532	5/32"
918.1533	3/16"
918.1534	7/32"
918.1535	1/4"



## 1/4" CHROMEplus® XZN® spline bit sockets

art.-nr.	size
918.1441	M4
918.1442	M5
918.1443	M6
918.1444	M7
918.1445	M8
918.1446	M10



## 1/4" CHROMEplus® TORX® bit sockets

art.-nr.	size
918.1479	T10
918.1480	T15
918.1481	T20
918.1482	T25
918.1483	T27
918.1484	T30
918.1485	T40



## 1/4" CHROMEplus® TORX® tamper bit sockets

art.-nr.	size
918.1467	T8
918.1470	T10
918.1471	T15
918.1472	T20
918.1473	T25
918.1474	T27
918.1475	T30
918.1476	T40



**3/8" CHROMEplus® Socket-set, 27-pc.**

art.-nr. 918.0627

1 x Reversible ratchet handle 3/8"

2 x Wobble extension 3/8": 75 mm + 150 mm

1 x Universal joint 3/8"

13 x Socket 3/8": 8 - 10 - 11 - 12 - 13 - 14 - 15 - 16 - 17 - 18 - 19 - 22 - 24 mm

10 x Socket 3/8", extra deep: 10 - 11 - 12 - 13 - 14 - 15 - 16 - 17 - 18 - 19 mm





## 3/8" CHROMEplus® Socket-set, 47-pc.

art.-nr. 918.0647

16 x Socket 3/8":	8 - 9 - 10 - 11 - 12 - 13 - 14 - 15 mm 16 - 17 - 18 - 19 - 20 - 21 - 22 - 24 mm
2 x Spark plug socket 3/8":	16 + 21 mm
2 x Wobble extension 3/8":	75 mm + 150 mm
1 x Universal joint 3/8"	
1 x Reversible ratchet handle 3/8"	

25 x Bit socket 3/8":	5 x Hexagon 5 - 6 - 7 - 8 - 10 mm	⊖
	3 x Slotted 5,5 - 6,5 - 8 mm	⊕
	2 x PH 1 - 2	⊕
	2 x PZ 1 - 2	⊕
	8 x TORX® T10 - T15 - T20 - T25	⊕
	T27 - T30 - T40 - T45	
	5 x XZN® spline M4 -M5 -M6 -M8 -M10	⊖



**3/8" CHROMEplus® Spark plug Service-Set, 7-pc.**

art.-nr. 918.0607

- 1 x Swivel ratchet handle 3/8", bent version
- 1 x Extension with quick-lock-system 3/8" - 150 mm
- 1 x Wobble extension 3/8" - 150 mm
- 4 x Spark plug socket 3/8": 14 - 16 - 18 - 21 mm



**3/8" CHROMEplus® Socket-set, extra deep, 11-pc.**

art.-nr. 918.0611

- 11 x Socket 3/8": 8 - 10 - 11 - 12 - 13 - 14 - 15 - 16 - 17 - 18 - 19 mm



inch sizes



**3/8" CHROMEplus® Socket-set, 46-pc.**

art.-nr. 918.0846

1 x Reversible ratchet handle 3/8"	
2 x Extension 3/8" - 75 mm / Wobble - 150 mm	
11 x Socket 3/8":	1/4" - 5/16" - 3/8" - 7/16" - 1/2" - 9/16" 5/8" - 11/16" - 3/4" - 13/16" - 7/8"
6 x Socket 3/8", extra deep:	3/8" - 7/16" - 1/2" 9/16" - 11/16" - 3/4"
1 x Universal joint 3/8"	
2 x Spark plug socket 3/8":	5/8" - 13/16"
1 x Sliding T-bar 3/8"	

22 x Bit socket:	10 x TORX®	T10 - T15 - T20 - T25 - T27 T30 - T40 - T45 - T50 - T55
	5 x XZN® spline	M4 - M5 - M6 - M8 - M10
	7 x Hexagon	1/8" - 5/32" - 3/16" 7/32" - 1/4" - 5/16" - 3/8"



**3/8" CHROMEplus® TORX® Socket-set, 36-pc.**

art.-nr. 918.0636

4 x TORX® double box spanner, straight:	E6 x E8 - E10 x E12 E14 x E18 - E20 x E24
7 x TORX® tamper bit 1/4":	T10 - T15 - T20 - T25 - T27 - T30 - T40
11 x TORX® bit socket 3/8":	T10 - T15 - T20 - T25 - T27 - T30 T40 - T45 - T50 - T55 - T60

12 x E-TORX® socket 3/8":	E4 - E5 - E6 - E7 - E8 - E10 E11 - E12 - E14 - E16 - E18 - E20
1 x TORX® tamper bit 1/4":	T30 x 75 mm
1 x Adaptor socket 3/8" for 1/4" bits	



**metric + inch !**



**1/4" + 3/8" CHROMEplus® Socket-set, 99-pc.**

art.-nr. 918.0699

1 x Stubby ratchet handle 1/4"	
1 x Reversible ratchet handle 3/8"	
1 x Spinner handle 1/4": 150 mm	
1 x Wobble extension 1/4": 100 mm	
2 x Wobble extension 3/8": 75 mm + 150 mm	
12 x Socket 1/4" - metric:	4 - 4,5 - 5 - 5,5 - 6 - 7 mm
	8 - 9 - 10 - 11 - 12 - 13 mm
10 x Socket 1/4" - inch:	5/32" - 3/16" - 7/32"
	1/4" - 9/32" - 5/16"
	11/32" - 3/8" - 7/16" - 1/2"
1 x Universal joint 3/8"	
3 x Spark plug socket 3/8": 16 mm + 18 mm + 21 mm	
16 x Socket 3/8" - metric:	8 - 9 - 10 - 11 - 12 - 13 mm
	14 - 15 - 16 - 17 - 18 - 19 mm
	20 - 21 - 22 - 24 mm

5 x Socket 3/8", extra deep-metric:	10 - 12 - 13 - 17 - 19 mm	
11 x Socket 3/8" - inch:	1/4" - 5/16" - 3/8" - 7/16"	
	1/2" - 9/16" - 5/8"	
	11/16" - 3/4" - 13/16" - 7/8"	
5 x Socket 3/8", extra deep - inch:	3/8"-7/16"-1/2"-9/16"-5/8"	
30 x Bit socket 3/8":	5 x Hexagon 5- 6 -7 -8 -10 mm	⊕
	5 x Hexagon 5/32" - 3/16" - 1/4"	
	5/16" - 3/8"	
	3 x Slotted 5,5 - 6,5 - 8 mm	⊖
	2 x PH 1 - 2	⊕
	2 x PZ 1 - 2	⊕
	8 x TORX® T10 - T15 - T20 - T25	⊕
	T27 - T30 - T40 - T45	
	5 x XZN® spline M4-M5-M6-M8-M10	⊗



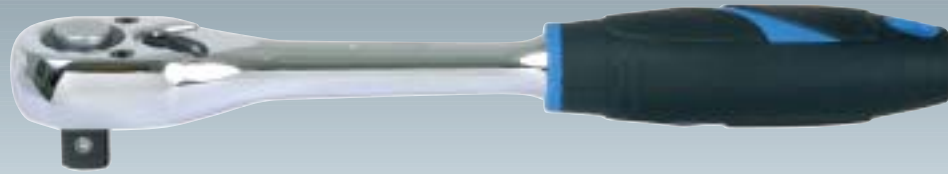
**multifunctional !**

**3/8" CHROMEplus® "All in One" Tool assortment, 93-pc.**

art.-nr. 918.0691

1 x Reversible ratchet handle 3/8"	
12 x Socket 3/8":	8 - 10 - 11 - 12 mm
	13 - 14 - 15 - 16 mm
	17 - 18 - 19 - 22 mm
3 x Deep socket 3/8":	13 - 17 - 19 mm
2 x Spark plug socket 3/8":	16 mm + 21 mm
1 x Extension 3/8",	150 mm
1 x Universal joint 3/8"	
1 x Adjustable wrench 8" -	200 mm
1 x Workshop file, flat type,	200 mm
1 x Hacksaw-frame, standard	
1 x Mechanic's hammer,	300 g
1 x Professional utility knife with automatic blade return	
1 x 3 in 1 Ballpoint key wrench set:	1,5 - 2 - 2,5 - 3 - 4 mm
	5 - 5,5 - 6 - 8 - 10 mm
1 x Measuring tape	3 m x 13 mm

1 x Universal Bit-Box 1/4",	32-pc.
1 x Voltage tester	220 - 250 V - 140 mm
11 x Combination wrenches:	8 - 9 - 10 - 11 - 12 - 13 - 14 - 15 - 16 - 17 - 19 mm
1 x Carpenter's pincers,	200 mm
1 x Diagonal cutting plier,	170 mm
1 x Combination plier,	180 mm
1 x Box joint waterpump plier,	240 mm
6 x Screwdriver	Slotted 4 x 100 mm
	5 x 100 mm
	6 x 125 mm
	PH 1 x 75
	PH 2 x 100
	TORX® T25
2 x Screwdriver, stubby	Slotted 6 x 38 mm
	PH 2 x 38 mm
1 x Bit-screwdriver for bits 1/4",	magnetic - 100 mm



## 3/8" CHROMEplus® Reversible ratchet handle

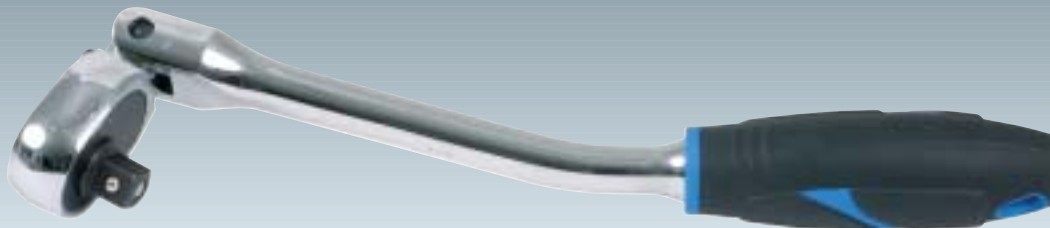
art.-nr. 918.3890

- Ergonomic dual composite grip handle



## 3/8" CHROMEplus® Reversible ratchet handle

art.-nr. 918.3993



## 3/8" CHROMEplus® Swivel reversible ratchet handle, bent version

art.-nr. 918.3895

- For spark plug service  
 - Ergonomic dual composite grip handle  
 - 180° flexibel head



**3/8" CHROMEplus® Stubby reversible ratchet handle**

art.-nr. 918.3995

- Ergonomic dual composite grip handle



**3/8" CHROMEplus® Display box with 6-pc. stubby ratchet**

art.-nr. 918.3995-6





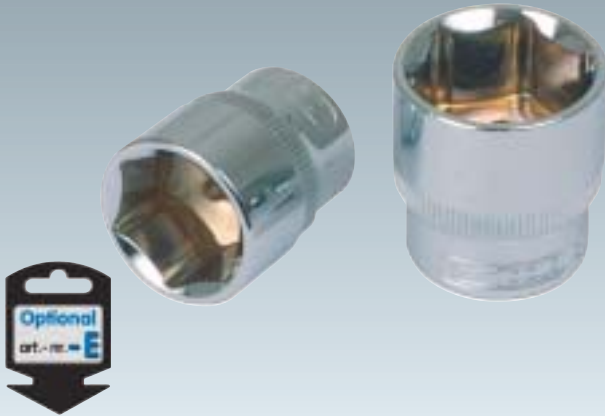
## 3/8" CHROMEplus® Wobble extensions

art.-nr.	Length
918.3935	45 mm
918.3801	75 mm
918.3802	150 mm
918.3958	225 mm
918.3803	250 mm



## 3/8" CHROMEplus® Extension-set with wobble-system, 3-pc.

art.-nr. 918.0383  
 Length: 100 - 150 - 250 mm



**3/8" CHROMEplus® Sockets, knurled**

art.-nr.	mm				
918.3936	6	17	10	6	27
918.3937	7	17	10,5	6	27
918.3808	8	17	12,2	6	27
918.3809	9	17	13,5	6	27
918.3810	10	17	14,7	6	27
918.3811	11	17	16	7	27
918.3812	12	18	16,8	8	30
918.3813	13	17	18	8	30
918.3814	14	18	20	10	30
918.3815	15	20	22	10	30
918.3816	16	20	22	10	30
918.3817	17	21	24	10	30
918.3818	18	21	24	12	30
918.3819	19	22	26	12	30
918.3820	20	23	26	12	30
918.3821	21	25	28	14	32
918.3822	22	26	30	14	32
918.3824	24	28	32	16	32



**3/8" CHROMEplus® Universal joint**

art.-nr. 918.3850

- Screwed version



**3/8" CHROMEplus® Sockets, extra deep, knurled**

art.-nr.	mm				
918.3828	8	17	12	10	63
918.3829	9	17	13	10	63
918.3830	10	17	14,5	12	63
918.3831	11	17	16	12	63
918.3832	12	18	16,8	15	63
918.3833	13	17	19	15	63
918.3834	14	18	20	15	63
918.3835	15	19	21	15	63
918.3836	16	20	22	15	63
918.3837	17	22	24	15	63
918.3838	18	23	24	18	63
918.3839	19	24	26	18	63
918.3840	20	25	28	18	63
918.3841	21	25	28	18	63
918.3842	22	26	30	21	63
918.3844	24	26	30	21	63



**3/8" CHROMEplus® Extensions with locking system**

art.-nr.	Length
918.3847	150 mm



### 3/8" CHROMEplus® Sockets, knurled

art.-nr.	inch				
918.3901	1/4"	13,2	17,0	7,5	25,0
918.3902	5/16"	17	12,2	6	27
918.3903	3/8"	17	14,7	6	27
918.3904	7/16"	17	16	7	27
918.3905	1/2"	17	18	8	30
918.3906	9/16"	18	20	10	30
918.3907	5/8"	20	22	10	30
918.3908	11/16"	21	24	10	30
918.3909	3/4"	22	26	12	30
918.3910	13/16"	25	28	14	32
918.3911	7/8"	26	30	14	32



### 3/8" CHROMEplus® Sockets, extra deep, knurled

art.-nr.	inch				
918.3923	3/8"	17	14,5	12	63
918.3924	7/16"	17	16	12	63
918.3925	1/2"	17	19	15	63
918.3926	9/16"	18	20	15	63
918.3927	5/8"	20	22	15	63
918.3928	11/16"	22	24	15	63
918.3929	3/4"	24	26	18	63



### 3/8" CHROMEplus® Spark plug sockets

art.-nr.		
918.3990	14 mm	( 12-point )
918.3804	16 mm	( 6-point )
918.3805	18 mm	( 6-point )
918.3806	21 mm	( 6-point )
918.3991	13/16"	( 6-point )
918.3992	5/8"	( 6-point )



### 3/8" CHROMEplus® E-TORX® Sockets, knurled

art.-nr.	E-TORX®				
918.3971	E 4	12,0	17,0	7,5	25,0
918.3972	E 5	12,9	17,0	7,5	25,0
918.3973	E 6	14,5	17,0	7,5	25,0
918.3974	E 7	15,8	17,0	7,5	25,0
918.3975	E 8	17,0	17,0	8,0	25,0
918.3976	E10	18,3	18,3	8,0	25,0
918.3977	E11	19,5	19,5	12,5	25,0
918.3978	E12	20,8	20,8	12,5	25,0
918.3979	E14	22,0	22,0	12,5	25,0
918.3980	E16	23,3	23,3	12,5	25,0
918.3981	E18	24,3	24,3	12,5	25,0
918.3982	E20	25,5	25,5	12,5	25,0

CrV ISO 3315 DIN 3123



**3/8" CHROMEplus® T-sliding head for extensions with adaptor function 1/2"F x 3/8"M**

art.-nr. 918.3807

CrV ISO 3124 ISO 2725



**3/8" CHROMEplus® Hexagon bit sockets, ballpoint**

art.-nr.	mm
918.3870	3
918.3871	4
918.3872	5
918.3873	6
918.3874	7
918.3875	8
918.3876	10

CrV DIN 3124 ISO 2725



**3/8" CHROMEplus® TORX® bit sockets**

art.-nr.	size
918.3879	T10
918.3880	T15
918.3881	T20
918.3882	T25
918.3883	T27
918.3884	T30
918.3885	T40
918.3886	T45
918.3887	T50
918.3888	T55
918.3889	T60

CrV DIN 3124 ISO 2725



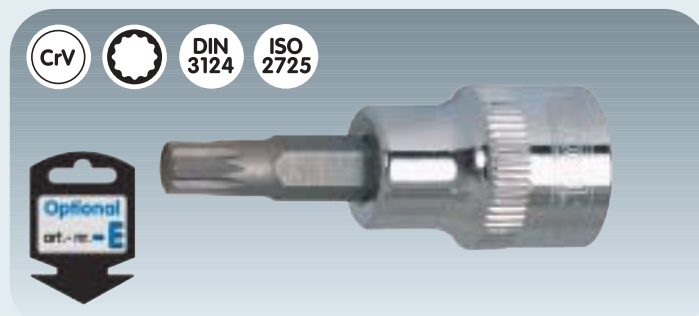
**3/8" CHROMEplus® TORX® bit sockets, tamperproof**

art.-nr.	size
918.3940	T10
918.3941	T15
918.3942	T20
918.3943	T25
918.3944	T27
918.3945	T30
918.3946	T40
918.3947	T45
918.3948	T50
918.3949	T55
918.3950	T60



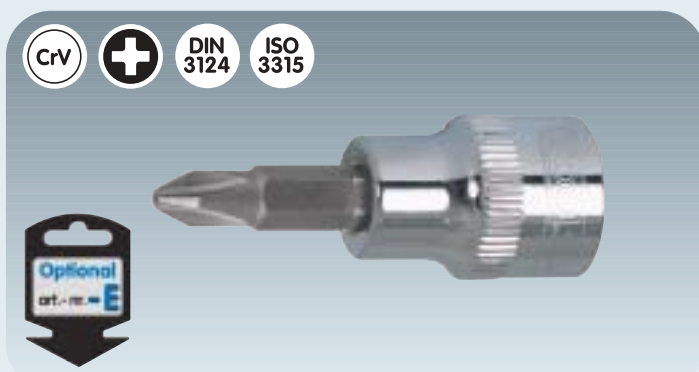
### 3/8" CHROMEplus® Slotted bit sockets

art.-nr.	mm
918.3851	4
918.3852	5
918.3853	5,5
918.3854	6,5
918.3855	8



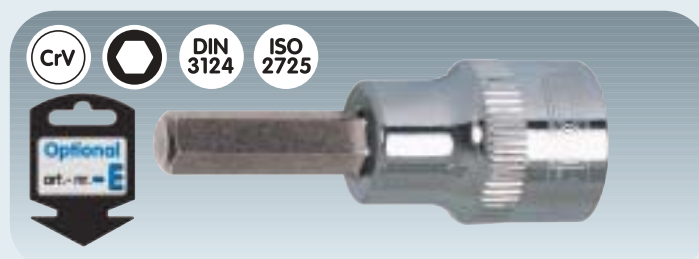
### 3/8" CHROMEplus® XZN® spline bit sockets

art.-nr.	size
918.3856	M 4
918.3857	M 5
918.3858	M 6
918.3859	M 8
918.3860	M10



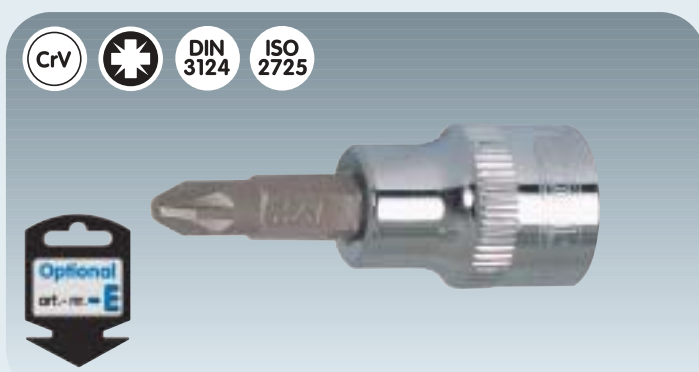
### 3/8" CHROMEplus® PHILLIPS® bit sockets

art.-nr.	size
918.3868	PH 1
918.3869	PH 2
918.3891	PH 3



### 3/8" CHROMEplus® Hexagon bit sockets

art.-nr.	mm
918.3861	3
918.3862	4
918.3863	5
918.3864	6
918.3865	7
918.3866	8
918.3867	10



### 3/8" CHROMEplus® POZIDRIV® bit sockets

art.-nr.	size
918.3877	PZ 1
918.3878	PZ 2
918.3892	PZ 3



### 3/8" CHROMEplus® Hexagon bit sockets

art.-nr.	inch
918.3962	5/32"
918.3963	3/16"
918.3964	1/4"
918.3965	5/16"
918.3966	3/8"
918.3967	1/8"
918.3968	7/32"



**1/2" CHROMEplus® Socket-set, 23-pc.**

art.-nr. 918.0623

1 x Reversible ratchet handle 1/2"

2 x Extension 1/2": 125 mm + 250 mm

1 x Universal joint 1/2"

18 x Socket 1/2": 10 - 11 - 12 - 13 - 14 - 15 - 16 - 17 - 18 mm  
19 - 20 - 21 - 22 - 24 - 27 - 30 - 32 - 34 mm

1 x T-sliding head for extensions 1/2"



**1/2" CHROMEplus® Socket-set, 10-pc.**

art.-nr. 918.0612

10 x Socket 1/2": 10 - 11 - 12 - 13 - 14 - 15 - 16 - 17 - 18 - 19 mm



**1/2" CHROMEplus®** Socket-set, 35-pc.

art.-nr. 918.0635

1 x Reversible ratchet handle 1/2"	
2 x Extension 1/2": 125 mm + 250 mm	
1 x T-sliding head for extensions 1/2"	
1 x Universal joint 1/2"	
2 x Spark plug socket 1/2": 16 mm + 21 mm	
18 x Socket 1/2":	10 - 11 - 12 - 13 - 14 - 15 - 16 - 17 - 18 mm
	19 - 20 - 21 - 22 - 24 - 27 - 30 - 32 - 34 mm
10 x Socket 1/2", extra deep:	10 - 11 - 12 - 13 - 14 - 15 - 16 - 17 - 18 - 19 mm



**1/2" CHROMEplus® Socket-set, 30-pc.**

art.-nr. 918.0830

1 x Reversible ratchet handle 1/2"	
2 x Extension 1/2" - 125 x 250 mm	
15 x Socket 1/2":	3/8" - 7/16" - 1/2" - 9/16" - 19/32"
	5/8" - 11/16" - 3/4" - 13/16" - 7/8"
	15/16" - 1" - 1 <sup>1/16</sup> " - 1 <sup>1/8</sup> " - 1 <sup>1/4</sup> "

7 x Socket 1/2", extra deep:	1/2" - 9/16" - 11/16"
	3/4" - 7/8" - 15/16" - 1"
1 x Universal joint 1/2"	
2 x Spark plug socket 1/2":	5/8" - 13/16"
1 x T-sliding head for extensions 1/2"	
1 x Flexible handle 380 mm	





**1/2" CHROMEplus® Stubby reversible ratchet handle**

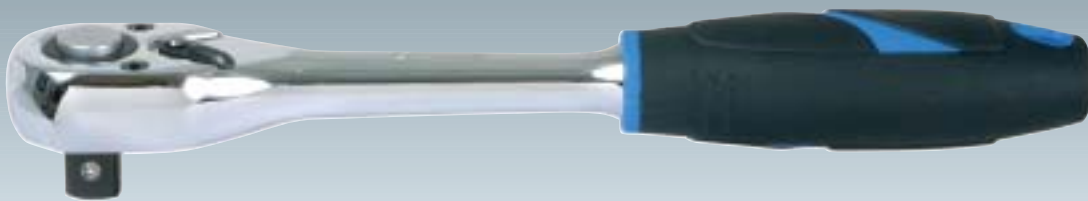
art.-nr. 918.1395

- Ergonomic dual composite grip handle



**1/2" CHROMEplus® Reversible ratchet handle**

art.-nr. 918.1393



**1/2" CHROMEplus® Reversible ratchet handle**

art.-nr. 918.1290

- Ergonomic dual composite grip handle



**1/2" CHROMEplus® Extensions**

art.-nr.	Length
918.1267	75 mm
918.1201	125 mm
918.1204	250 mm



**1/2" CHROMEplus® Extension-set with wobble-system, 3-pc.**

art.-nr. 918.0123  
 Length: 100 - 150 - 250 mm

CrV DIN 3123 Form C ISO 3315



**1/2" CHROMEplus® Universal joint**

art.-nr. 918.1250

- Screwed version

CrV DIN 3123 ISO 3315



**1/2" CHROMEplus® Bit-adaptor-Sockets**

art.-nr.

918.1271 Bit-adaptor-socket	1/2" x 10 mm
918.1266 Bit-adaptor-socket	1/2" x 5/16"

CrV ISO 3315 DIN 3122



**1/2" CHROMEplus® Sliding T-bar**

art.-nr. 918.1263

Length 250 mm

CrV DIN 3122 ISO 3315



**1/2" CHROMEplus® Flexible handle**

art.-nr. 918.1292

918.1291	Length 380 mm
918.1292	Length 600 mm
918.1292-1	Spare swivel head



**1/2" CHROMEplus® Sockets, knurled**

art.-nr.	mm				
918.1208	8	22	15	12	36
918.1209	9	22	15	12	36
918.1210	10	22	15,5	12	36
918.1211	11	22	16,5	12	36
918.1212	12	22	18	12	36
918.1213	13	22	19	12	36
918.1214	14	22	20,5	12	36
918.1215	15	21	22	12	36
918.1216	16	22	24	12	36
918.1217	17	22	24	14	38
918.1218	18	23	26	14	38
918.1219	19	24	27	14	38
918.1220	20	24	28	14	38
918.1221	21	24	28	14	38
918.1222	22	24	30	14	38
918.1224	24	25	32	17	40
918.1227	27	28	36	20	42
918.1230	30	29	40	20	45
918.1232	32	30	42	22	45
918.1234	34	32	46	24	46
918.1236	36	32	46	34	46



**1/2" CHROMEplus® Sockets, extra deep, knurled**

art.-nr.	mm				
918.1240	10	22	15,5	10	76
918.1241	11	22	16,5	12	76
918.1242	12	22	18	13	76
918.1243	13	22	19	14	76
918.1244	14	22	20,5	15	76
918.1245	15	21	22	16	76
918.1246	16	22	24	17	76
918.1247	17	22	24	18	76
918.1248	18	24	26	19	76
918.1249	19	25	27	20	76
918.1260	20	26	28	21	76
918.1258	21	26	28	23	76
918.1252	22	27	30	27	76
918.1254	24	30	32	27	76
918.1257	27	34	36	27	76



**1/2" CHROMEplus® Spark plug sockets**

art.-nr.		art.-nr.	
918.1390	14 mm (12-point)	918.1391	5/8" (6-point)
918.1205	16 mm (6-point)	918.1392	13/16" (6-point)
918.1207	18 mm (6-point)		
918.1206	21 mm (6-point)		



**1/2" CHROMEplus® Sockets, knurled**

art.-nr.	inch				
918.1301	3/8"	22	15,5	12	36
918.1302	7/16"	22	16,5	12	36
918.1303	1/2"	22	19	12	36
918.1304	9/16"	22	20,5	12	36
918.1305	19/32"	22	22	12	36
918.1306	5/8"	22	24	12	36
918.1307	11/16"	22	24	14	38
918.1308	3/4"	24	27	14	38
918.1309	13/16"	24	28	14	38
918.1310	7/8"	24	30	14	38
918.1311	15/16"	25	32	17	40
918.1312	1"	26	34	17	42
918.1313	1-1/16"	28	36	20	42
918.1314	1-1/8"	28	38	20	42
918.1315	1-1/4"	30	42	22	45



**1/2" CHROMEplus® Sockets, extra deep, knurled**

art.-nr.	inch				
918.1318	3/8"	22	15,5	10	76
918.1319	7/16"	22	16,5	12	76
918.1320	1/2"	22	19	14	76
918.1321	9/16"	22	20,5	15	76
918.1322	11/16"	22	24	18	76
918.1323	3/4"	25	27	20	76
918.1324	7/8"	27	30	27	76
918.1325	15/16"	30	32	27	76
918.1326	1"	32	34	27	76



**1/2" CHROMEplus® T-sliding head for extensions, with adaptor function 3/8" F x 1/2" M**

art.-nr. 918.1261





**1/2" CHROMEplus® Bitsocket set, 32-pc.**

art.-no. 918.1752

8 x Hexagonal, 55 mm long:	5 - 6 - 7 - 8 - 10 - 12 - 14 - 17 mm	○
4 x Hexagonal, 110 mm long:	6 - 8 - 10 - 12 mm	○
8 x TORX®, 55 mm long :	T25 - T27 - T30 - T40 - T45 - T50 - T55 - T60	⊛
9 x TORX®, 110 mm long:	T30 - T40 - T50 - T60	⊛
4 x Spline (XZN®), 55 mm long:	M5 - M6 - M8 - M10	⊛
4 x Spline (XZN®), 110 mm long:	M6 - M8 - M10 - M12	⊛



**1/2" CHROMEplus® Hexagon bit sockets**

art.-nr.	size
918.1604	4 mm
918.1605	5 mm
918.1606	6 mm
918.1607	7 mm
918.1608	8 mm
918.1609	9 mm
918.1610	10 mm
918.1612	12 mm
918.1614	14 mm
918.1617	17 mm
918.1619	19 mm



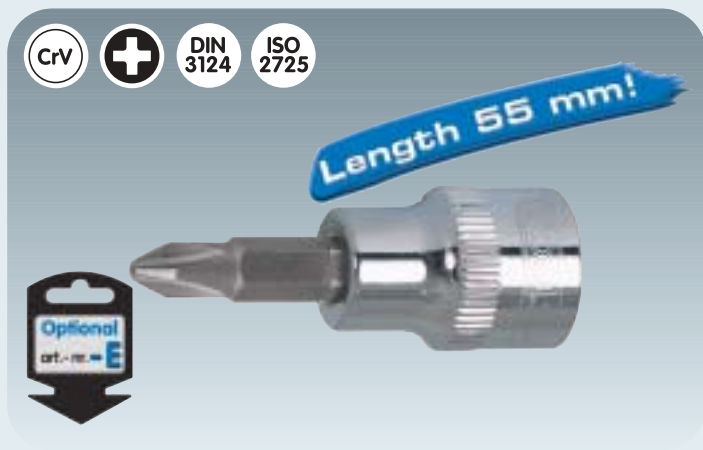
**1/2" CHROMEplus® XZN® spline bit sockets**

art.-nr.	size
918.1671	M 5
918.1672	M 6
918.1673	M 8
918.1674	M10
918.1675	M12
918.1676	M14
918.1677	M16



**1/2" CHROMEplus® TORX® bit sockets**

art.-nr.	size
918.1620	T10
918.1621	T15
918.1622	T20
918.1623	T25
918.1624	T27
918.1625	T30
918.1626	T40
918.1627	T45
918.1628	T50
918.1629	T55
918.1630	T60
918.1632	T70



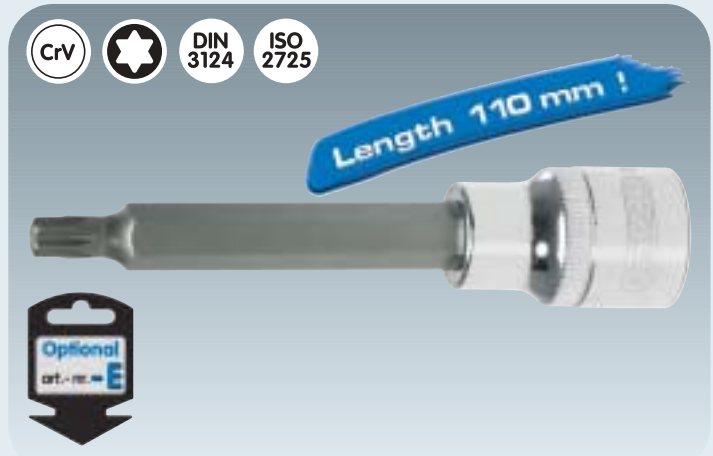
**1/2" CHROMEplus® PH bit sockets**

art.-nr.	size
918.1635	T10
918.1636	T15
918.1637	T20



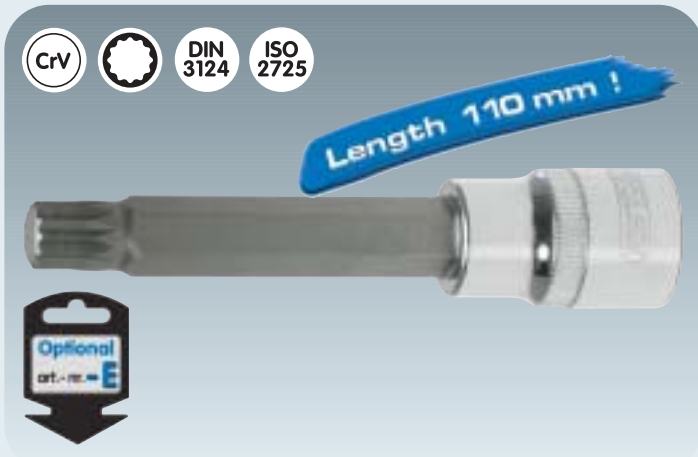
**1/2" CHROMEplus® Hexagon bit sockets, 110 mm**

art.-nr.	mm
918.1654	4
918.1655	5
918.1656	6
918.1657	7
918.1658	8
918.1659	9
918.1660	10
918.1662	12
918.1664	14
918.1667	17
918.1669	19



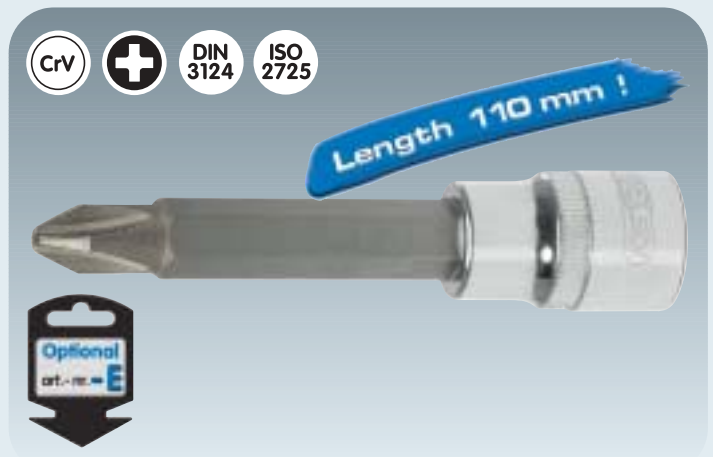
**1/2" CHROMEplus® TORX® bit sockets, 110 mm**

art.-nr.	
918.1640	T10
918.1641	T15
918.1642	T20
918.1643	T25
918.1644	T27
918.1645	T30
918.1646	T40
918.1647	T45
918.1648	T50
918.1649	T55
918.1650	T60



**1/2" CHROMEplus® XZN® spline bit sockets, 110 mm**

art.-nr.	
918.1691	M 5
918.1692	M 6
918.1693	M 8
918.1694	M10
918.1695	M12
918.1696	M14



**1/2" CHROMEplus® PH bit sockets, 110 mm**

art.-nr.	
918.1685	1
918.1686	2
918.1687	3





**combined !**

1/4"

3/8"

1/2"

**CHROMEplus®** Extension-set with wobble-system, 9-pc.

art.-nr. 918.0009

3 x Extension 1/4":	50 - 100 - 250 mm
4 x Extension 3/8":	45 - 75 - 150 - 225 mm
2 x Extension 1/2":	125 - 250 mm



**1/4" + 1/2" CHROMEplus® Socket-set, 78-pc.**

art.-nr. 918.0678

13 x Socket 1/4"	4 - 4,5 - 5,5 - 6 - 7 - 8 mm	
	9 - 10 - 11 - 12 - 13 - 14 mm	
8 x Socket 1/4", extra deep	6 - 7 - 8 - 9 - 10 - 11 - 12 - 13 mm	
15 x Socket 1/2"	13 - 14 - 15 - 16 - 17 - 18 - 19 - 20 mm	
	21 - 22 - 24 - 27 - 30 - 32 - 34 mm	
5 x Socket 1/2", extra deep	14 - 15 - 17 - 19 - 22 mm	
23 x Bit socket 1/4":	6 x Hexagon 3 - 4 - 5 - 6 - 7 - 8 mm	⊙
	2 x PH 1 - 2	+
	2 x PZ 1 - 2	+
	7 x TORX® T10-T15-T20-T25-T27-T30-T40	⊛
	6 x XZN® spline M4-M5-M6-M7-M8-M10	⊙

3 x Spark plug socket 1/2":	16 + 18 + 21 mm
2 x Wobble extension 1/4":	50 mm + 100 mm
1 x Spinner handle 1/4"	
2 x Universal joint 1/4" und 1/2"	
1 x Socket adaptor 1/4" 4-point/6-point	
2 x Wobble extension 1/2":	125 mm + 250 mm
2 x Reversible ratchet handle 1/4" and 1/2"	
1 x T-sliding head for extension 1/2"	



**Gear plus inclusive!**



**1/4" + 3/8" + 1/2" CHROMEplus® Socket-set, 124-pc.**

art.-nr. 918.0724

10 x Socket 1/4"	4 - 5 - 6 - 7 - 8 - 9 - 10 - 11 - 12 - 13 mm
5 x Socket 1/4", extra deep	5 - 6 - 7 - 8 - 9 mm
11 x Socket 3/8"	9 - 10 - 11 - 12 - 13 - 14 - 15 - 16 - 17 - 18 - 19 mm
6 x Socket 3/8", extra deep	10 - 11 - 12 - 13 - 14 - 15 mm
8 x E-TORX® -Socket 3/8":	E8 - E10 - E11 - E12 E14 - E16 - E18 - E20
8 x Socket 1/2"	20 - 21 - 22 - 24 - 27 - 30 - 32 - 34 mm
6 x Socket 1/2", extra deep	10 - 12 - 13 - 14 - 17 - 19 mm
2 x Spark plug socket 1/2":	16 mm + 21 mm
2 x E-TORX® -Socket 1/2":	E22 - E24
3 x Universal joint 1/4" + 3/8" + 1/2"	
1 x Spinner handle 1/4"	
1 x Adaptor socket 1/4" for 1/4" bits	
7 x TORX® Bit T10-T15-T20-T25-T27-T30-T40	

22 x Bit socket 3/8":	5 x Hexagon 3- 4 - 5 - 6 - 8 mm	
	2 x Slotted 4 - 5,5	
	3 x PH 1 - 2 - 3	
	3 x PZ 1 - 2 - 3	
	5 x TORX® T20-T30-T40-T45-T50	
	4 x Spline (XZN®) M4 - M5 - M6 - M8	
1 x Wobble extension 1/4":	100 mm	
2 x Wobble extension 3/8":	75 mm + 150 mm	
2 x Wobble extension 1/2":	125 mm + 250 mm	
3 x Reversible ratchet handle 1/4" + 3/8" + 1/2"		
2 x T-sliding head for extension 1/2" + 3/8"		
1 x Hex key wrench set, ballpoint:	1,5 - 2 - 2,5 - 3 - 4 mm	
(in pocket holder)	5 - 6 - 7 - 8 - 10 mm	
12 x <b>GEARplus</b> Wrenches:	8-9-10-11-12-13-14-15-16-17-18-19 mm	



**1/4" + 1/2" CHROMEplus® Socket-set, 102-pc.**

art.-nr. 918.0702

13 x Socket 1/4":	4 - 4,5 - 5 - 5,5 - 6 mm 7 - 8 - 9 - 10 - 11 - 12 - 13 - 14 mm
13 x Socket 1/2":	13 - 15 - 17 - 18 - 19 - 20 mm 21 - 22 - 24 - 27 - 30 - 32 - 34 mm
3 x Socket 1/4", extra deep:	8 - 10 - 13 mm
5 x Socket 1/2", extra deep:	14 - 15 - 17 - 19 - 22 mm
3 x E-Profil- Socket 1/4":	E6 - E7 - E8
6 x E-Profil- Socket 1/2":	E10- E12- E14- E16- E18- E20
2 x Extension 1/4":	50 + 100 mm
2 x Extension 1/2":	125 + 250 mm
2 x Spark plug socket 1/2":	16 + 21 mm
2 x Reversible ratchet handle 1/4" + 1/2"	
2 x Universal joint 1/4" + 1/2"	
1 x Spinner handle 1/4"	
1 x T-sliding part for extension 1/2"	
1 x Bit-Adaptor 1/2" for x 5/16" bits	

18 x Bit socket 1/4":	
2 x PH 1 - 2	+
2 x PZ 1 - 2	+
4 x Hexagon 3 - 4 - 5 - 6 mm	○
3 x XZN® spline M4 - M5 - M6	○
7 x TORX® T10 - T15 - T20 - T25 - T27 - T30 - T40	+
11 x Bit:	
1 x PH 3	+
1 x PZ 3	+
2 x Hexagon 8 - 10 mm	○
3 x XZN® spline M8 - M10 - M12	○
4 x TORX® T45 - T50 - T55 - T60	+
10 x Hex key wrench set:	1,5 - 2 - 2,5 - 3 - 4 - 5 - 6 - 7 - 8 - 10 mm
7 x Combination spanner:	7 - 8 - 10 - 12 - 13 - 17 - 19 mm



Exquisit !



**1/4" + 1/2" CHROMEplus® Superlock Socket-set, 90-pc., removable PE-tray, detachable trolley-cart**

art.-nr. 918.0690

13 x Socket 1/4":	4 - 4,5 - 5 - 5,5 - 6 - 7 - 8 mm 9 - 10 - 11 - 12 - 13 - 14 mm
10 x Socket 1/2":	15 - 17 - 18 - 19 - 20 mm 22 - 24 - 27 - 30 - 32 mm
2 x Universal joint 1/4" + 1/2"	
2 x Extension 1/4":	50 + 100 mm
2 x Extension 1/2":	125 + 250 mm
2 x Reversible ratchet handle 1/4" + 1/2"	
2 x Spark plug socket 1/2":	16 x 21 mm
1 x Bit-adaptor 1/4" for 1/4" bits	
1 x Spinner handle 1/4"	
1 x Bitholder for 1/4" bits, flexible, 185 mm	
1 x Socket adaptor 1/4" 6-point / 4-point	
1 x T-sliding head for extension 1/2"	

28 x Bit 1/4":	6 x Hexagon 3 - 4 - 5 - 6 - 7 - 8 mm	⊖
	5 x Slotted 3 - 4 - 5 - 6 - 7 - 8 mm	⊕
	5 x PH 0 - 1 - 2 - 2 - 3	⊕
	5 x PZ 0 - 1 - 2 - 2 - 3	⊕
	7 x TORX® T10-T15-T20-T25-T27-T30-T40	⊕
1 x Hex key wrench set, ballpoint:	1,5 - 10 mm, 10-pc.	
7 x Flankdrive-combination spanner 1/2":	7 - 8 - 10 - 12 - 13 - 17 - 19 mm	
1 x Water pump plier 10" - 240 mm		
1 x Combination plier 180 mm		
4 x Screwdriver	Slotted 5 x 100, 6 x 125 mm	
	PH 1 x 75 mm	
	PH 2 x 100 mm	
1 x Trolley-cart, detachable		



Explanation:



Finest Chrome Vanadium steel, mirror polished



**FlankTraction™** System, the perfect torque transmission applies completely to the flanks of screws or nuts



Precise manufactured referring to DIN, squaredrive refers to DIN 3120



Precise manufactured referring to ISO, squaredrive refers to ISO 1174



Extreme slim head



Secure ratchet-handle with quick-release function



Ratcheting mechanism, precise function with 72 teeth, working angle 5° only



Plastic-case, extremely robust



## 1/4" SUPER TEN Ratchet handle

art.-nr.

919.1490	- Extreme slim head: 20 mm - Length: 140 mm - Weight: 80 gr. - Ergonomic dual composite grip handle - Non-skid
919.1499	Repair kit



## 3/8" SUPER TEN Ratchet handle

art.-nr.

919.3890	- Extreme slim head: 26 mm - Length: 195 mm - Weight: 198 gr. - Ergonomic dual composite grip handle - Non-skid
919.3899	Repair kit



## 1/2" SUPER TEN Ratchet handle

art.-nr.

919.1290	- Extreme slim head: 30 mm - Length: 245 mm - Weight: 356 gr. - Ergonomic dual composite grip handle - Non-skid
919.1299	Repair kit



# SUPER TEN



1/4" + 3/8" + 1/2" **SUPER TEN** Ratchet handle Display, 16-pc.

art.-nr. 919.0016

6 x 919.1490 **SUPER TEN** Ratchet handle 1/4"

5 x 919.3890 **SUPER TEN** Ratchet handle 3/8"

5 x 919.1290 **SUPER TEN** Ratchet handle 1/2"





**1/4" SUPER TEN** Socket-set, 29-pc.

art.-nr. 918.0629

- 1 x **SUPER TEN** Ratchet handle 1/4"
- 1 x Spinner handle 1/4": 150 mm
- 13 x Socket: 4 - 4,5 - 5 - 5,5 - 6 - 7 - 8 - 9 - 10 - 11 - 12 - 13 - 14 mm
- 9 x Socket, extra deep: 6 - 7 - 8 - 9 - 10 - 11 - 12 - 13 - 14 mm
- 1 x Sliding T-bar
- 1 x Universal joint
- 2 x Extension: 50 + 100 mm
- 1 x Extension: 150 mm (flexible)



**3/8" SUPER TEN Socket-set, 33-pc.**

art.-nr. 918.0633

1 x **SUPER TEN** Ratchet handle 3/8"

1 x T-sliding head for extension 1/2"F x 3/8"M

1 x Universal joint

13 x Socket: 8 - 10 - 11 - 12 - 13 - 14 - 15 - 16 - 17 - 18 - 19 - 22 - 24 mm

12 x Socket, extra deep: 8 - 9 - 10 - 11 - 12 - 13 - 14 - 15 - 16 - 17 - 18 - 19 mm

2 x Extension: 75 mm + 250 mm

3 x Spark plug socket: 14 - 16 - 21 mm



**SUPER TEN ratchet!**

**1/2" SUPER TEN Socket-set, 24-pc.**

art.-nr. 918.0624

1 x **SUPER TEN** Ratchet handle 1/2"

2 x Extension: 125 mm + 250 mm

2 x Spark plug socket: 16 + 21 mm

1 x Universal joint

17 x Socket: 10 - 11 - 12 - 13 - 14 - 15 - 16 - 17 - 18 - 19 - 20 - 21 - 22 - 24 - 27 - 30 - 32 mm

1 x T-sliding head for extension 1/2" with adaptor function 3/8" F x 1/2" M



**Explanation:**



Finest Chrome Vanadium steel, mirror polished



Precise manufactured referring to DIN, squaredrive refers to DIN 3120



Extensions with quick-lock-system



Precise manufactured referring to ISO, squaredrive refers to ISO 1174



**combined !**



1/4"

3/8"

1/2"

**LOKPLUS** Extension-set with quick-lock-system, 7-pc.

art.-nr. 919.0007

2 x Extension 1/4": 100 + 150 mm

3 x Extension 3/8": 75 + 150 + 250 mm

2 x Extension 1/2": 125 + 250 mm



**1/4" LOKPLUS Extensions**

art.-nr.	Length
919.1402	100 mm
919.1404	150 mm
919.1406	250 mm



**3/8" LOKPLUS Extensions**

art.-nr.	Length
919.3801	75 mm
919.3804	150 mm
919.3806	250 mm



**1/2" LOKPLUS Extensions**

art.-nr.	Length
919.1201	75 mm
919.1203	125 mm
919.1206	250 mm



**1/4" LOKPLUS** Extension-set, 3-pc.

art.-nr. 919.0143

Length: 100 - 150 - 250 mm



**3/8" LOKPLUS** Extension-set, 3-pc.

art.-nr. 919.0383

Length: 75 - 150 - 250 mm



**1/2" LOKPLUS** Extension-set, 3-pc.

art.-nr. 919.0123

Length: 75 - 125 - 250 mm

# CHROME<sup>plus</sup>® shop system „socket-programm“

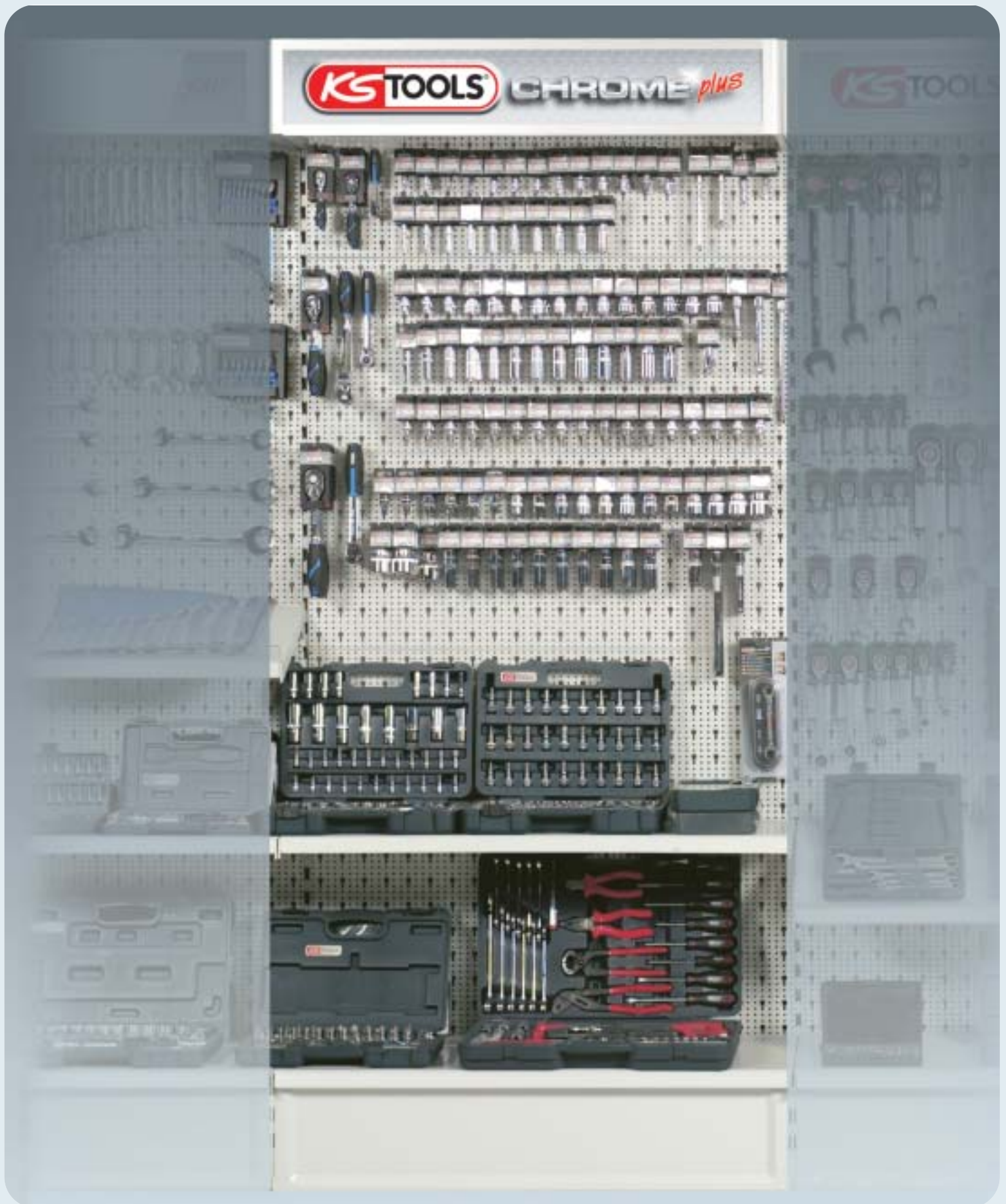
- 1 EAN-Code
- 2 Article number
- 3 European standard hanging device
- 4 Dimension
- 5 Proportions
- 6 Recycling



Supplement - **E** to the art-nr., this is it!







CHROME *plus*® Shop-system socket programm, 1 m

